

Domestic Hot Water Tanks Indirect Fired

Buderus



Clean, Pure, Reliable Hot Water.

- Efficient and Economical
- Excellent Recovery Rates
- Superior Insulation
- Easy Access Cover for Cleaning
- Three Styles with Capacities of 32 to 129 Gallons

Comfortable. Efficient. Intelligent Heating.

ESTABLISHED 1731

275
YEARS

Buderus

Indirect Fired Domestic Hot Water Tanks

The Buderus Thermoglaze® Hot Water Advantage



In North America the average household spends around 30% of their energy costs on their domestic hot water needs. With this in mind Buderus designs its hot water tanks to work more economically and efficiently. Buderus pioneered new methods of producing and storing domestic hot water, so you are assured of greater operating efficiencies, lower fuel consumption and consistent hot water, all while saving money.

Buderus' patented Thermoglaze® is a ceramic material which is thermally bonded to the internal components of the tank to provide a glass like coating. This unique coating protects against the corrosive affects of minerals that naturally appear in water, maximizing the life of the tank, while minimizing the number of service calls. Constructed of the highest quality materials, including the Thermoglaze® coating on all the interior surfaces, Buderus tanks also have excellent insulation resulting in less than a 1/4°F loss of heat per hour. The larger surface area of the heat exchanger in a Buderus tank delivers excellent recovery rates.

Features and Benefits

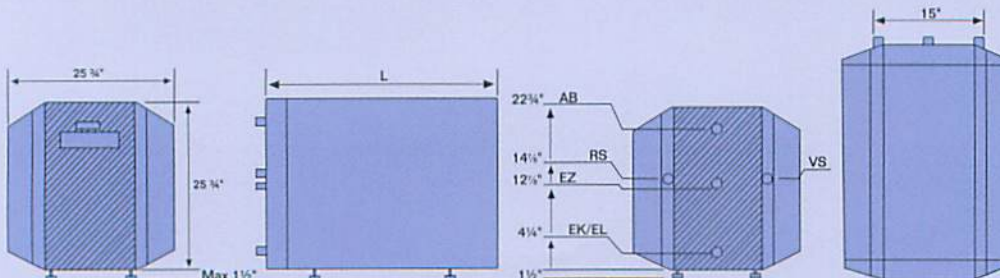
- Economical – better insulation. High density fluoro-carbon free bonded-foam insulation for better maintenance of stored hot water temperature.
- Large surface area heat exchanger for excellent recovery rates.
- Corrosion Protection – the Buderus Thermoglaze® process protects the interior of the tank from corrosion caused by most types of water.
- Easy access cover for cleaning of coil and tank interior.
- Horizontal tanks for small footprint, vertical tanks for improved recovery rates.
- Standard magnesium anode rod for active corrosion protection.

Horizontal Models	LT-160	LT-200	LT-300
Performance Data			
Continuous Rating (2nd Hr.)	93,000	109,000	161,000
Inlet Temp = 50 °F Outlet Temp = 140 °F	124	145	215
Boiler Water Temp. °F	194	194	194
Boiler Water Flow Rate (GPM)	15.4	17.6	22.1
Coil Pressure Drop (Feet of Head)	3.1	4.4	8.0
Physical Dimensions			
Contents (gallons)	42	53	79
Dimension W	25 3/4"	25 3/4"	25 3/4"
Dimension H*	25 3/4"	25 3/4"	25 3/4"
Dimension L	36 1/4"	42 7/16"	57 3/4"
Weight (approx lbs.)**	220	246	363

* Excluding screw-on feet.

** All weights are 5% higher with packing material.

LT Tanks



Models	All LT
Dimensions	
AB	DHW Outlet 1"
EZ	P&T/Recirculation Return 3/4"
VS	Boiler Water Supply 1"
RS	Boiler Water Return 1"
EK/EL	Cold Water Feed/DHW Drain 1 1/4"

Buderus domestic hot water tanks offer features which provide for ease of installation, simple maintenance and reliable operation. All models are equipped with a magnesium anode rod for protection against corrosion, a P&T valve and drain for quick installation, and use adjustable screw-on feet for leveling. An easy-access cover aids in cleaning and maintaining the coil and tank interior. Standard on the S120, a Honeywell aquastat can be ordered separately for the other tanks.

Buderus domestic hot water tanks are designed with features that allow them to fit all needs. Short on space? The LT horizontal tanks are designed to fit under a Buderus boiler resulting in a smaller footprint. For domestic hot water priority add a Buderus Logamatic control. With this option, even on cold mornings when the boiler is working hard, you will always have plenty of hot water for showers. Equipped with a recirculation option Buderus tanks work more efficiently so that hot water is not wasted.

Buderus water tanks are a reliable and clean way to store hot water. From small residences to large commercial operations, there is a Buderus domestic hot water tank that is just right for your application.



Vertical Models		S-120	ST-150	ST-200	ST-300	ST-400	ST-500
Performance Data							
Continuous Rating (2nd Hr.)	BTU/Hr.	116,000	119,000	149,000	218,000	194,000	235,000
Inlet Temp = 50 °F Outlet Temp = 140 °F	Gallons/Hr.†	155	159	199	290	250	306
Boiler Water Temp. °F		194	194	194	194	194	194
Boiler Water Flow Rate (GPM)		9.5	15.9	17.6	22.0	26.4	24.2
Coil Pressure Drop (Feet of Head)		6.5	3.9	4.3	8.4	11.4	11.4
Physical Dimensions							
Contents (gallons)		32	40	53	79	103	129
Dimension D		20"	27 1/4"	27 1/4"	27 1/4"	31 7/8"	39 3/8"
Dimension H‡		37"	34 5/8" *	42 5/16" *	57 11/16" *	61"	73"
Dimension D _{SP}		***	***	***	***	33 1/2"	33 1/2"
Weight (approx lbs.)**		158	238	286	371	407	486

* Excluding screw-on feet.

** All weights are 5% higher with packing material.

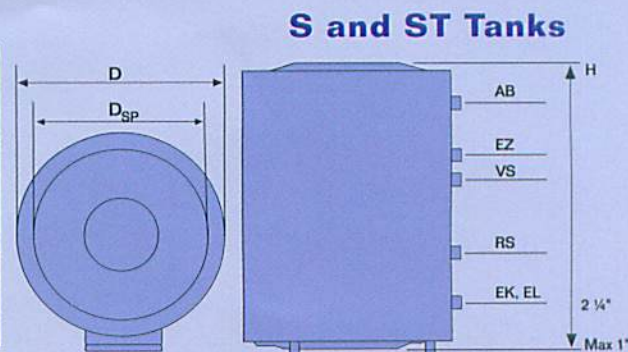
*** S120, ST150-ST300, and all LT models: Residential Tanks are delivered with outer jacket installed. Interior dimensions are not applicable. Large ST models: jackets and insulation packaged separately.

† Required boiler output to achieve stated continuous ratings. Size the pump in order to get rated tank outputs.

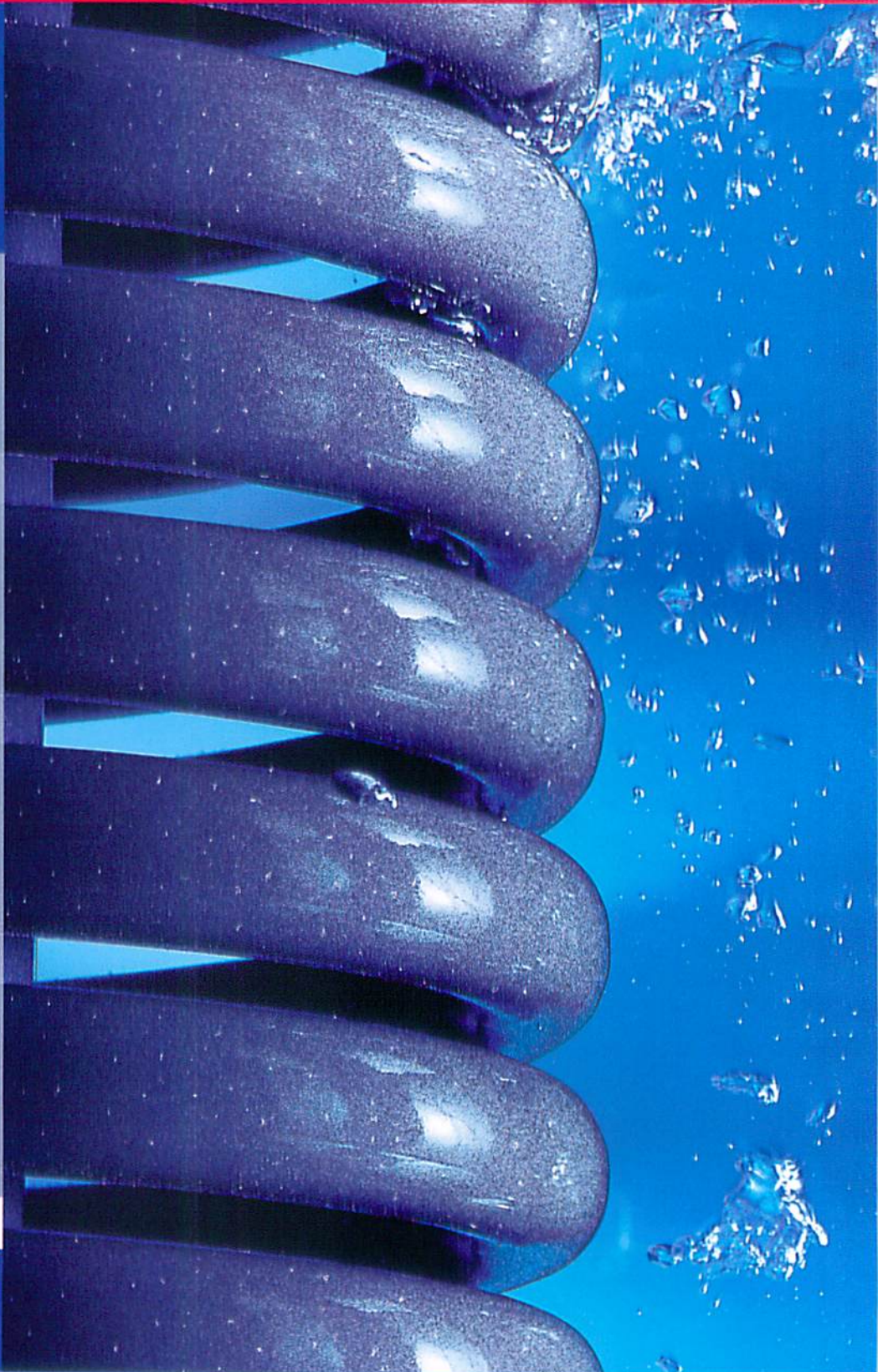
‡ Allow 15" above tank for anode rod removal.

Operating Data		
	Boiler Water (coil)	Domestic Hot Water (tank)
Max Pressure (psi)	362	150
Max Temperature (°F)	320	200
Heating Medium	Hot Water	Hot Water

Models		S-120	ST-150	ST-200	ST-300	ST-400	ST-500
Dimensions							
AB	DHW Outlet	3/4"	1"	1"	1"	1 1/4"	1 1/4"
EZ	P&T/Recirculation Return	3/4"	3/4"	3/4"	3/4"	3/4"	3/4"
VS	Boiler Water Supply	3/4"	1"	1"	1"	1 1/4"	1 1/4"
RS	Boiler Water Return	3/4"	1"	1"	1"	1 1/4"	1 1/4"
EK/EL	Cold Water Feed/ DHW Drain	3/4"	1 1/4"	1 1/4"	1 1/4"	1 1/4"	1 1/4"



Domestic Hot Water Tanks Indirect Fired



**Domestic Hot Water
LT-Tank Stackable
Options**

Tank Model LT160 LT200 LT300

G115/21

G115/28

G115/34

G124X/18

G124X/25

G124X/32

G215/3

G215/4

G215/5

G215/6

Buderus Thermoglaze® is a permanent protective coating bonding to the interior of the tank, including the coil.

Buderus

BBT North America Corporation
50 Wentworth Avenue
Londonderry, NH 03053
Tel: (603) 552-1100
Fax: (603) 584-1681

Subject to change without notice
© 2007 Buderus
Part Number 44499020-04/07