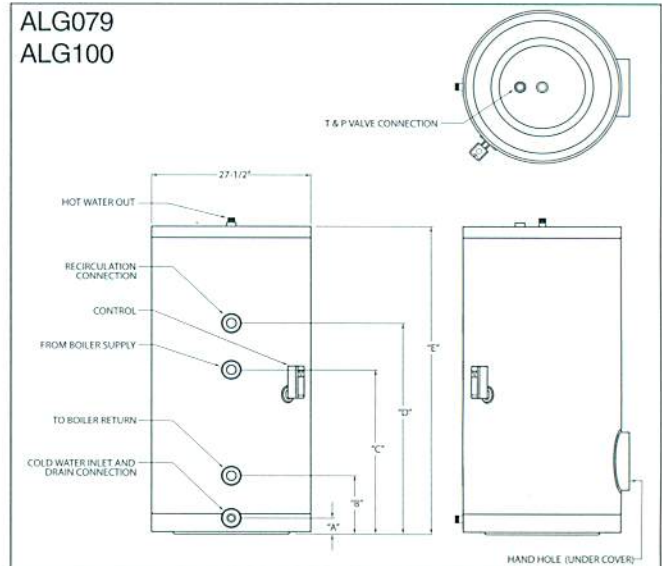
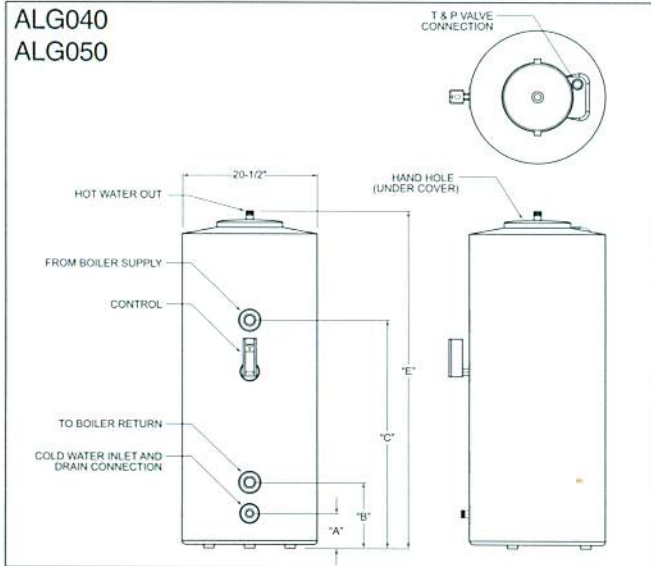


# SPECIFICATIONS



## ALLIANCE™ G SPECIFICATIONS



## ALLIANCE™ G SPECIFICATIONS

ALLIANCE™ G	MODEL			
	ALG040	ALG050	ALG079	ALG100
First Hour Rating (Gal/hr)*	194.4	225.1	285.9	400.3
Boiler Output	103,149	116,094	137,604	200,038
Boiler Water Flow (Gal/min)	8.0	8.0	10.0	10.0
Coil Pressure Drop (ft w.c.)	2.6	2.6	4.4	5.7
Coil Surface (sq. ft)	12.1	14.3	15.1	25.8
Tank Volume (Gal)	38	50	79	102
Net Weight (lbs)	190	226	245	310
Filled Weight (lbs)	523	658	926	1187

\*First Hour Ratings are based on 58°F inlet water, 135°F hot water, 180°F boiler supply water

**IMPORTANT NOTE:** Some localities require indirect waterheaters having a relief valve capacity in excess of 200,000 BTU/Hr to be constructed and stamped in accordance with ASME requirements. Check with the local authority having jurisdiction before installing an ALG079 or an ALG100 with a boiler or boilers having a total gross output in excess of 200,000 BTU/Hr.

DIMENSIONS (inches)	MODEL			
	ALG040	ALG050	ALG079	ALG100
A	5-1/8	5-1/8	2-3/4	2-3/4
B	9-3/4	9-3/4	10	10
C	34	37-7/8	28-1/2	43-3/8
D	—	—	36-1/2	48-3/8
E	50-1/2	62-3/4	52-5/8	65-7/8
CONNECTIONS (NPT)				
Cold/Drain	3/4 M	3/4 M	1 M	1-1/4 M
Boiler Supply	1 F	1 F	1 F	1 F
Boiler Return	1 F	1 F	1 F	1 F
Hot	3/4 M	3/4 M	1 M	1-1/4 M
Thermostat	3/4 F	3/4 F	3/4 F	3/4 F
Recirc.	—	—	3/4 F	3/4 F
T & P Valve	3/4 F	3/4 F	1 F	1 F

### Standard Equipment

- Porcelain enamel coated tank with sacrificial anode rod
- Porcelain rod enamel coated smooth coil design with low pressure drop
- High density "CFC" free foam insulation
- Appliance grade steel jacket or polystyrene jacket
- Adjustable legs for installation on uneven surfaces
- Clean-out and inspection access plate
- Honeywell adjustable aquastat



# INDIRECT WATER HEATER



## ALLIANCE™ G



Think about the many ways your family uses hot water every day. Whether it's the dishwasher, clothes washer, hot tub, or just your daily showers, your family needs a lot of hot water.

Fortunately for your family, the Alliance™ G Indirect Hot Water Heater uses your boiler's current capacity to make ample hot water. Thereby always keeping your family comfortable.

### Features and Benefits

- Four sizes—ALG40, ALG50, ALG79 and ALG100 for residential and commercial applications
- Quick heat recovery for lots of hot water
- Porcelain enameled tank and coil designed for corrosion resistance and low pressure drop
- Clean-out and inspection access plate for easy service
- Designed for quick and easy installation to save you money
- High density foam insulation and steel or polystyrene jacket for low stand by losses
- Sacrificial anode rod for extended life
- Honeywell adjustable aquastat—name brand control
- Fully tested to 150 psi working pressure